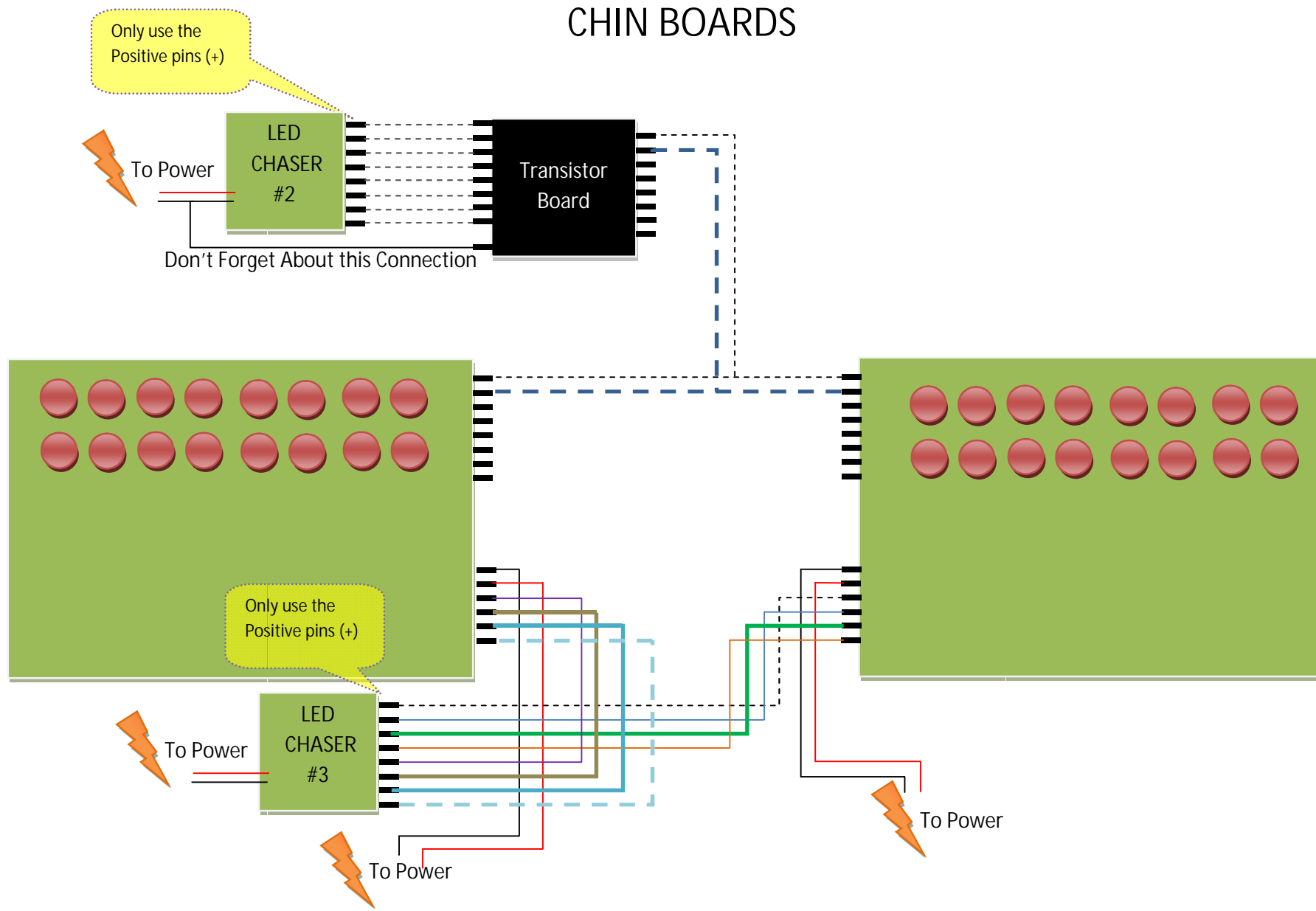


CHIN BOARDS



NOTE: The illustration does not show all the connections from the transistor board to the chin boards to avoid confusion. Only 2 connections are shown. Continue making the rest of the connections from the transistor pins to the signal pins on the two boards (one on each side).