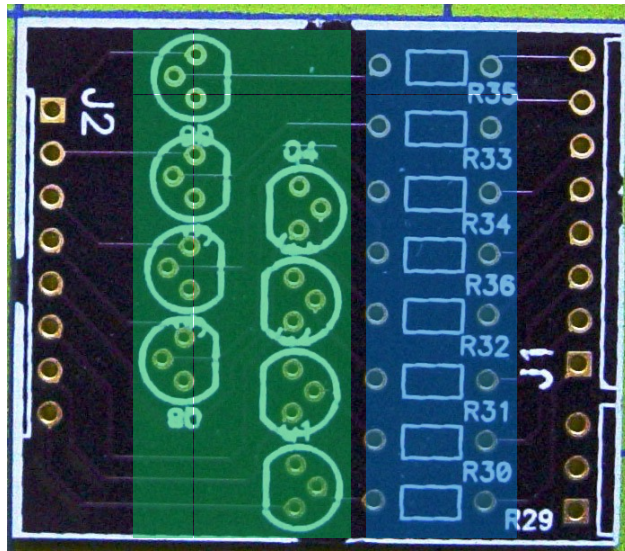


TRANSISTOR BOARD

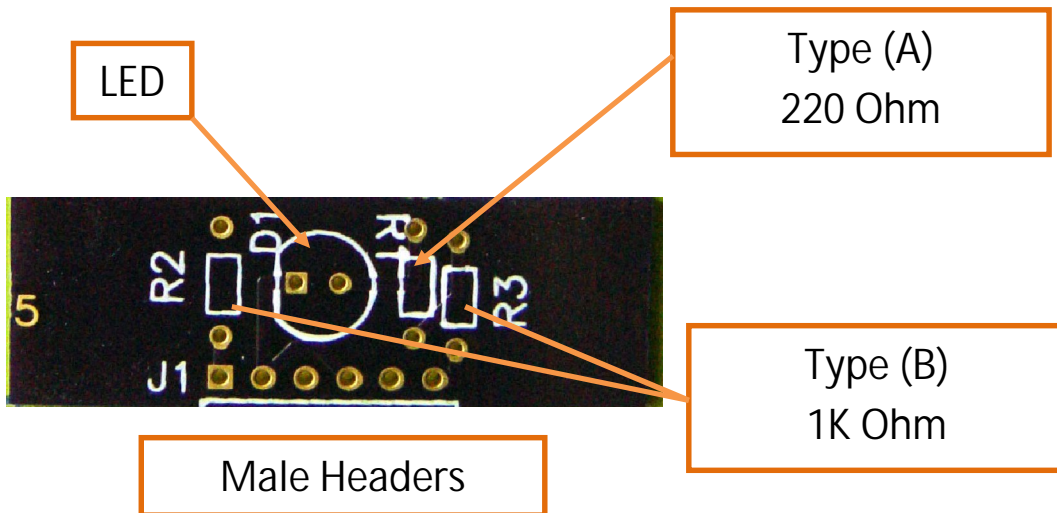


Type (B)
1K Ohm

Transistor

Male Headers
Holes marked with **XX** are not used, so do not need headers.

EAR BOARD



LED

Type (A)
220 Ohm

Type (B)
1K Ohm

Male Headers